



PRECISION PLASTICS

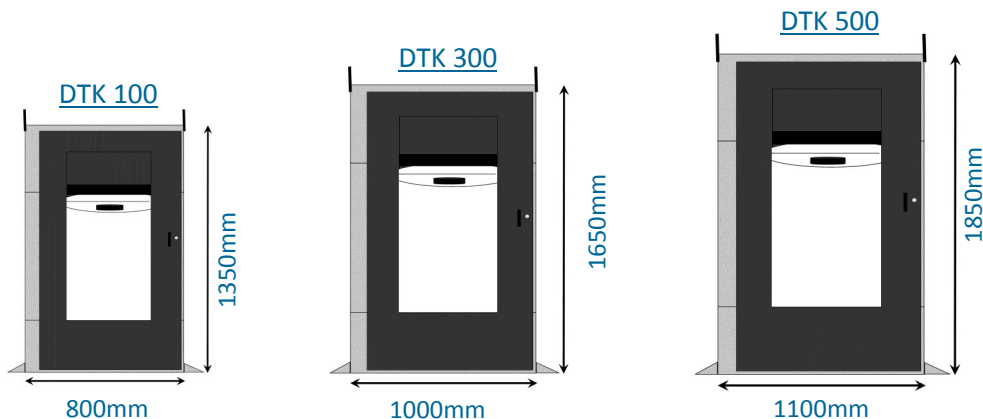
Dosing Tank Kiosks

Precision Plastics the plastics machining division of Silotank manufacture a range of chemically resistant dosing tank kiosks from Polypropylene incorporating a MDPE tank. We have 3 standard sizes but they can be manufactured to customer specifications and come standard with pump shelf, bunded area, stainless steel hinges, aluminium side vents and barrel lock on the door.



Options:

- Polypropylene Tank
- PVCU/GRP Tank



Precision Plastics, Pembroke Loop Road, Springbank Industrial Estate,
Dunmurry, Belfast, BT17 0QL

T: (0) 28 9062 6256 F: (0) 28 9062 6224

E: sales@precisionplastics.co.uk W: www.precisionplastics.co.uk

Precision Plastics is a trading name of Digestors, Silos & Tanks Ltd.